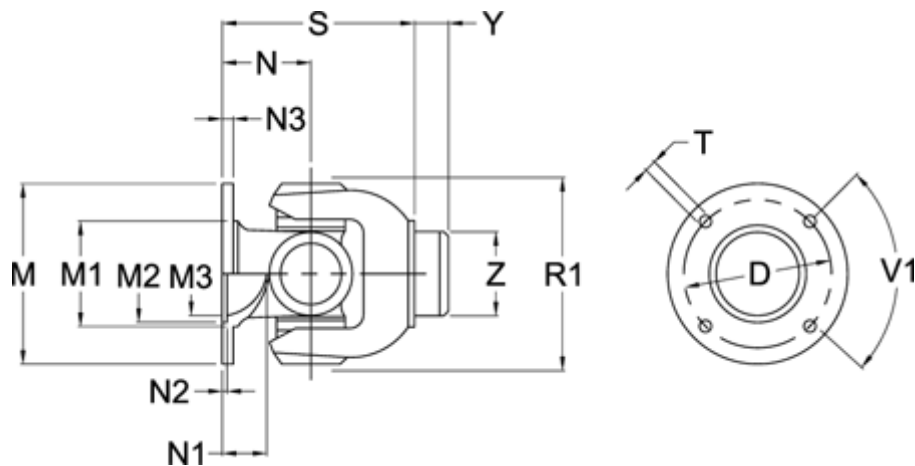


Article number: 07105050001

Description: Universal joint single 0.105.050.001
S=62 X= Bore with keyway

Measures



| | | | | |
|----------------------------|------------|-----------------------|------------|-----------|
| D | = 47 +-0,1 | N2 | = 1,5 +0,3 | Z = 25.25 |
| Flange diameter M | = 58 | N3 | = 3.5 | |
| M1 | = 35 | Number of Flangeholes | = 4 | |
| M2 | = 30 | R1 | = 52 | |
| M3 | = 26 | S min | = 62 | |
| Max. Bending Angle degrees | = 30 | T | = 5 B12 | |
| N | = 30 | V1 degrees | = 90 | |
| N1 | = 10 | Y | = 13 | |